

### FEATURES

- No moving parts
- Durable
- Adjustable depth
- Hot-tap available
- Brass or stainless steel
- Immersibility available
- Reverse flow output available

### APPLICATIONS

- 3"- 48" pipe (up to 72" optional)
- Clean or "dirty" liquids
- Conductive liquids
- Municipal
- Industrial
- Irrigation

### GENERAL INFORMATION

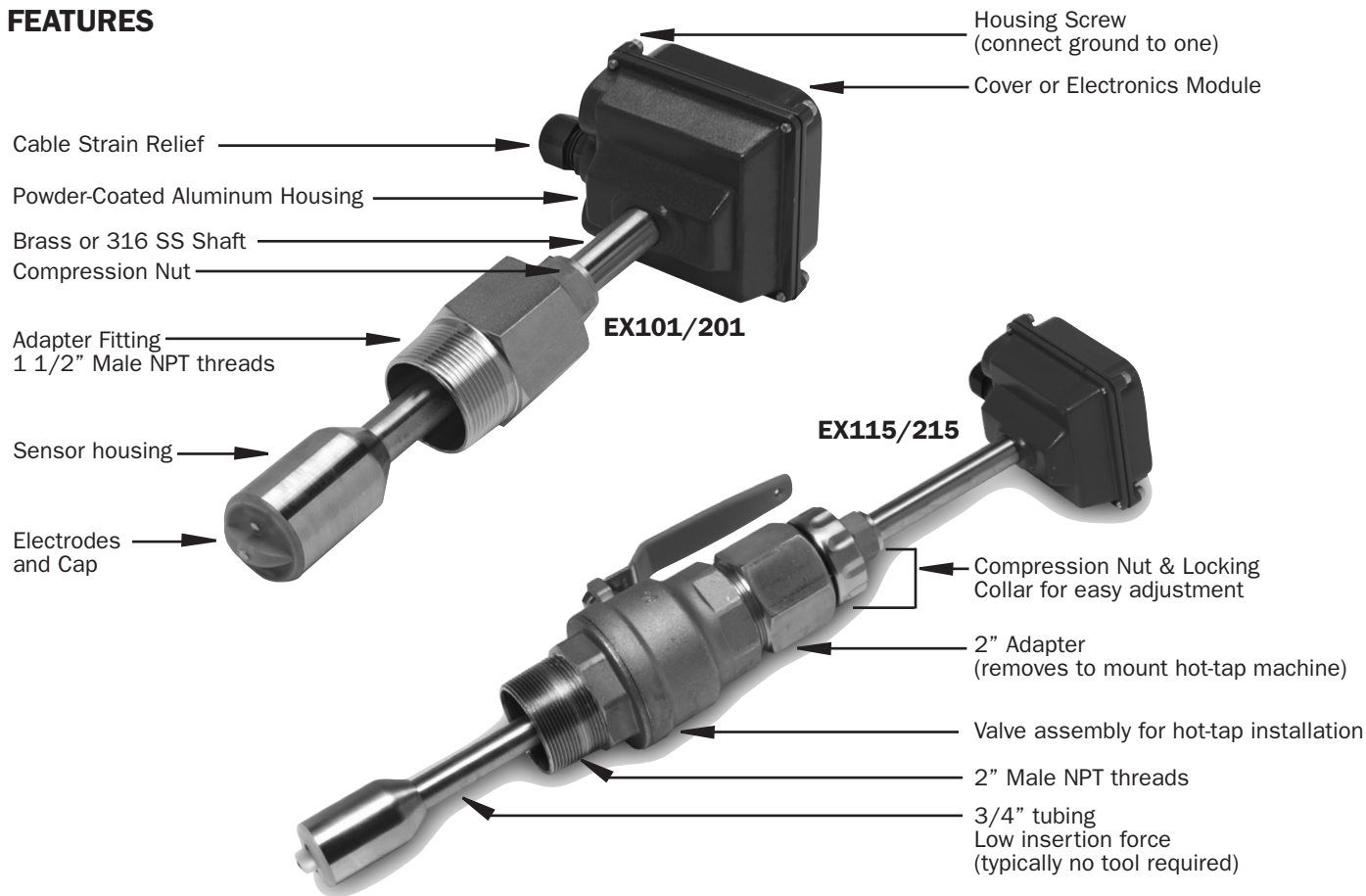
The complete lack of moving parts of this insertion flow sensor is the source of its reliability. There is no rotor to stop turning in dirty water and there are no bearings to wear out. Brass and stainless steel models withstand a variety of temperature, pressure, and chemical conditions. Reverse flow output and immersibility are optional.

A rapidly reversing magnetic field is produced in the lower housing. As the fluid moves through this field, a voltage is generated that is measured and translated into a frequency signal proportional to flow rate. This square wave signal can be sent directly to a PLC or other control or can be converted using any of the SeaMetrics family of indicators and converters.

A modular system of electronics can be attached directly to the flow sensor or remotely mounted. The SeaMetrics FT420 provides full indication of rate and total, plus 4-20 mA output. The A055 provides blind 4-20 mA output. The FT520 is a batching flow processor, and the DL75 is a battery-powered data logger.

The adapter fitting of the EX sensor is standard male NPT, and can be directly threaded into ordinary saddles or threaded weld fittings. The EX115 and 215 include an isolation valve, allowing hot-tap installation, or installation and removal under pressure. A bronze ball valve is standard, with a 316 stainless steel valve option if needed.

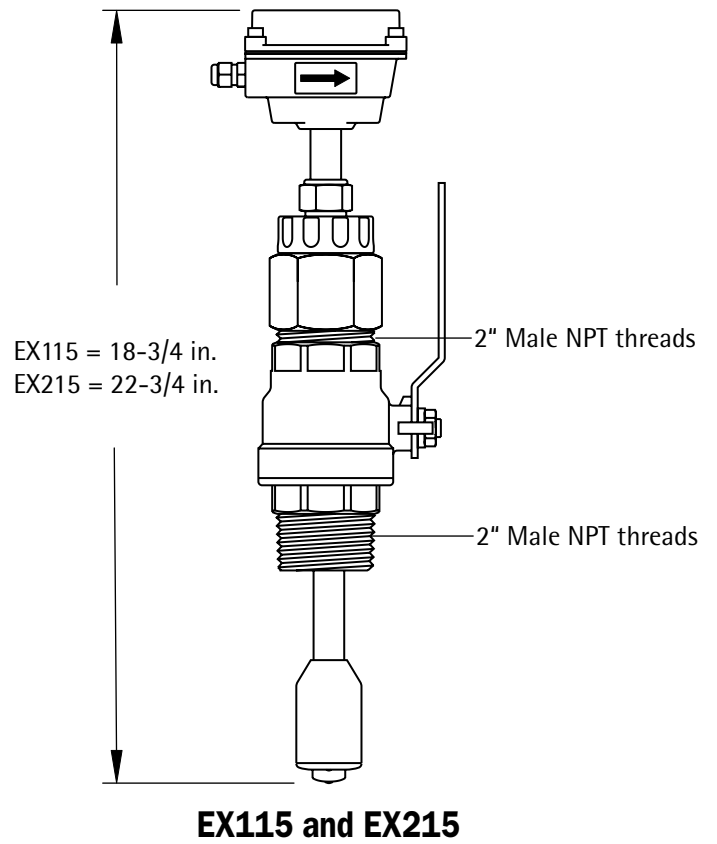
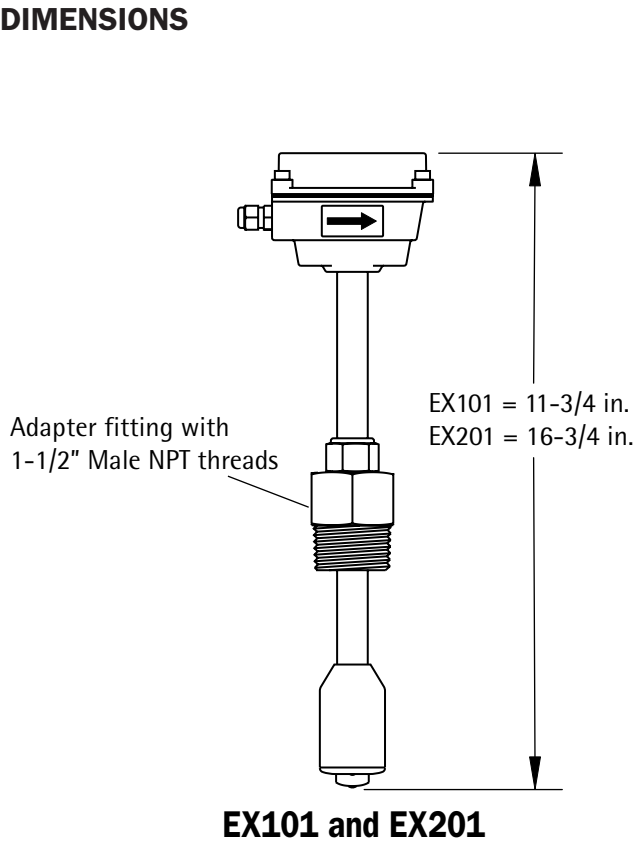
### FEATURES



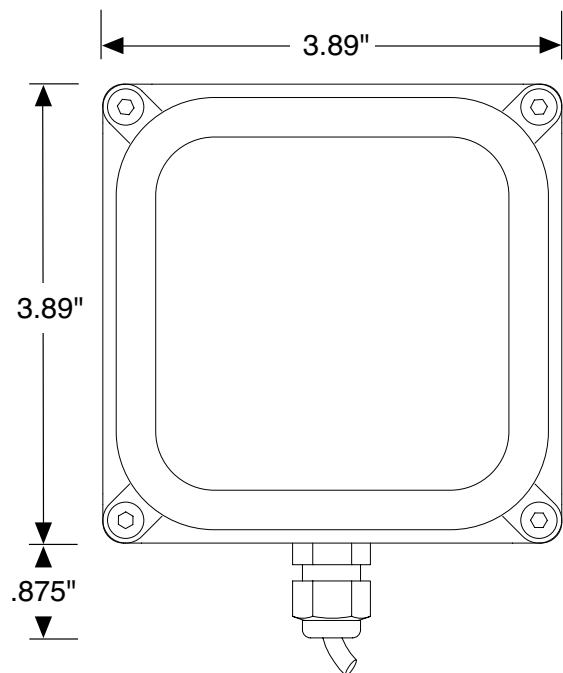
### SPECIFICATIONS

<b>Power</b>	<b>Full Power</b>	12-24 Vdc, 250 mA	
	<b>Low Power</b>	12-24 Vdc, 40 mA	
<b>Flow Range</b>	0.28 - 20 ft/sec (0.08 - 6.09 m/sec)		
<b>Fitting Size</b>	<b>EX101/201</b>		<b>EX115/215</b>
	1-1/2" Male NPT		2" Male NPT
<b>Temperature</b>	<b>Ambient</b>	0° - 180° F (-17° - 82° C)	
	<b>Fluid</b>	32° - 200° F (0° - 93° C)	
<b>Pressure</b>	200 psi (13.8 bar)		
<b>Minimum Conductivity</b>	20 microSiemens/cm		
<b>Materials</b>	<b>Shaft/Fitting</b>	316 SS or Brass	
	<b>Electrodes</b>	Hastelloy	
	<b>Electrode Cap</b>	PVDF	
	<b>Housing</b>	Cast powder-coated aluminum	
	<b>Valve Assembly (115/215 Only)</b>	Bronze (stainless optional) with bronze ball valve	
	<b>O-Ring (115/215 Only)</b>	EPDM	
<b>Calibration Accuracy</b>	+/- 1% of full scale		
<b>Output</b>	Square wave pulse, opto isolated, 550 Hz @ 20 ft/sec 6 mA max, 30 Vdc forward flow standard; reverse flow optional		
<b>Empty Pipe Detection</b>	Software, defaults to zero flow		

### DIMENSIONS



Flow Range (GPM)		
Pipe Size	Min. Flow	Max. Flow
3	5	440
4	8	783
6	18	1,762
8	31	3,133
10	49	4,895
12	70	7,050
14	96	9,596
16	125	12,533
18	159	15,863
20	196	19,584
24	282	28,200
30	440	44,064
36	635	63,452





# EX100/200-SERIES Insertion Magnetic Flow Meter

## HOW TO ORDER

MODEL	MATERIAL	OPTIONS
3" - 10" pipe size = <b>EX101</b> 10" - 48" pipe size = <b>EX201</b> 3" - 10" hot tap = <b>EX115</b> 10" - 48" hot tap = <b>EX215</b>	Brass = <b>B</b> 316 stainless steel = <b>S</b>	Adapter fitting, 2" threads (101/201 only) = <b>-02</b> Stainless valve assembly (115/215 only) = <b>-08</b> No valve assembly (115/215 only) = <b>-09</b> Reversible flow output = <b>-15</b> Immersible (consult factory for specifications) = <b>-40</b> Low power option = <b>-50</b> 12" extension (201 & 215 only) = <b>-72</b>
<b>ACCESSORIES</b> Rate & Total Indicator w/4-20 mA output = <b>FT420</b> Blind 4-20 mA Transmitter = <b>AO55</b> Pulse Divider = <b>PD10</b> Batch Flow Processor = <b>FT520</b>		Data Logger = <b>DL75</b> Saddle Fittings = <b>Consult Factory</b> Dual Power Supply, 110-115 Vac, 24 Vdc = <b>PC42</b>

## CONTACT YOUR SUPPLIER